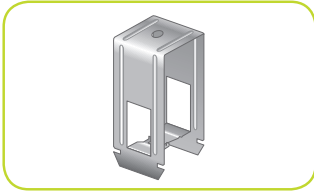


PLADUR® CHANNEL INTERSECTION CONNECTOR GL

02b02002EN - Rev. 10/2015



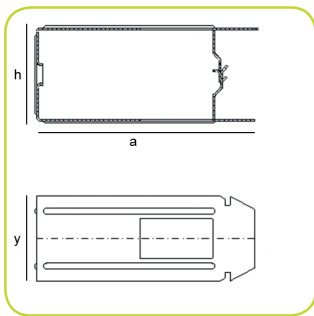
DESCRIPTION

Connecting part, made of low-carbon steel sheeting, subject to continuous galvanisation in hot-dip for subsequent cold working. The bottom part has an opening and closure fitting and the top part has drill holes in relief, to help installation in tracks.

APPLICATIONS

Used to connect the GL tracks that form the primary structure, fitting in the profiles of the secondary structure (T-47), by means of a double bracket.

DESIGN



TECHNICAL SPECIFICATIONS

FEATURE	VALUE
Type of steel	DX51D
Surface coating	ZINC COATING (Z140)
Thickness (e) (mm)	1
Height (a) (mm)	110
length (y) (mm)	43
Width (h) (mm)	47.5
Approximate weight (kg/m ²)	0.08
Reaction to fire	A1 (Does not contribute to fire)

PRESENTATION

Packaging

Units / Box	100
Boxes / pallet	120

TOLERANCES

FEATURE	VALU
Thickness (e)	± 0.05 mm
Height (a)	± 0.5 mm
length (y)	± 3 mm
Width (h)	± 0.5 mm

INSTALLATION

- The regulations and laws applicable in the territories where the materials are installed must be respected at all times.
- For any queries regarding the recommendations from Yesos Ibéricos for the installation or for technical support, please contact our Customer Service and Technical Assistance number **+34 902 023 323** or write to the e-mail address **info@pladur.com**.

PRECAUTIONS

- We only guarantee the results obtained in our tests or predictions, as set out in our technical documentation, when the product is used in combination with other original Pladur® products (boards, profiles, compounds, screws and accessories).
- For detailed information on safety, please read the product safety data sheet.

STORAGE & HANDLING

- Store horizontally, on a dry and flat surface, preferably protected from sunlight and rain.
- We recommend wearing mechanical protection gloves when handling the channel intersection connector GL, as advised in Standards EN 420 and EN 388.

Customer Service
+34 902 023 323
info@pladur.com
www.pladur.com



Central Offices and Factory in Valdemoro-Madrid
 Laminated plasterboards, Transformations,
 Profiles and Adhesive Compounds

This document is provided as a guideline only and refers to installations and applications based exclusively on the use of PLADUR® materials in accordance with the specifications contained herein. Any use or installation based on PLADUR® materials that does not follow the recommendations and parameters set out in this document must be confirmed with the Yesos Ibéricos S.A Technical Department first. PLADUR® is a registered trademark belonging to Yesos Ibéricos, S.A. Published July 2015. This publication is considered valid save for any typographic or transcription error. All rights reserved, including the incorporation of improvements or amendments.

Pladur®
 Makes it a reality